

# CARPET INSTALLER (KNEE KICKER)

**Model 47337**

## OPERATING INSTRUCTIONS



Visit our website at: <http://www.harborfreight.com>



**Read this material before using this product.  
Failure to do so can result in serious injury.  
SAVE THIS MANUAL.**

Copyright© 2003 by Harbor Freight Tools®. All rights reserved. No portion of this manual or any artwork contained herein may be reproduced in any shape or form without the express written consent of Harbor Freight Tools. Diagrams within this manual may not be drawn proportionally. Due to continuing improvements, actual product may differ slightly from the product described herein. Tools required for assembly and service may not be included.

**For technical questions or replacement parts, please call 1-800-444-3353.**  
REVISED MANUAL 06d, 09i

## Specifications

Maximum Length	21-1/2"
Minimum Length	18-1/2"
Head Dimensions	4-7/8"L x 5-1/8"W
Maximum Pin Extension	3/8"
Adjustment Holes	4, in 1" increments

## Save This Manual

You will need the manual for the safety warnings and precautions, operating and maintenance procedures, parts list and diagram. Keep your invoice with this manual. Write the invoice number on the inside of the front cover. Keep the manual and invoice in a safe and dry place for future reference.

## Safety Warnings and Precautions

**WARNING: When using tool, basic safety precautions should always be followed to reduce the risk of personal injury and damage to equipment.**

**Read all instructions before using this tool!**

1. **Keep work area clean.** Cluttered areas invite injuries.
2. **Observe work area conditions.** Do not use tools in damp or wet locations. Don't expose to rain. Keep work area well lighted.
3. **Keep children away.** Children must never be allowed in the work area. Do not let them handle the Carpet Installer.
4. **Store idle equipment.** When not in use, tools must be stored in a dry location to inhibit rust. Always lock up tools and keep out of reach of children.
5. **Use the right tool for the job.** Do not attempt to force a small tool or attachment to do the work of a larger industrial tool. There are certain applications for which this tool was designed. It will do the job better and more safely at the rate for which it was intended. Do not modify this tool and do not use this tool for a purpose for which it was not intended. Improper use of the tool can result in carpet damage and personal injury. If there is any question on how to use this tool properly, enlist the help of an experienced professional. **This tool is not intended for carpet stretching.**
6. **Dress properly.** Do not wear loose clothing or jewelry as they can be caught while working. Protective, electrically non-conductive clothes and non-skid footwear are recommended when working. Wear restrictive hair covering to contain long hair.
7. **Use eye protection.** Always wear ANSI approved impact safety goggles.
8. **Maintain tools with care.** Keep tools sharp and clean for better and safer performance. Follow instructions for changing accessories.
9. **Stay alert.** Watch what you are doing, use common sense. Do not operate any tool when you are tired.

10. **Check for damaged parts.** Before using any tool, any part that appears damaged should be carefully checked to determine that it will operate properly and perform its intended function. Check for alignment and binding of moving parts; any broken parts or mounting fixtures; properly tightened Grip Pads (6); and any other condition that may affect proper operation. Any part that is damaged should be properly repaired or replaced by a qualified technician.
11. **Replacement parts and accessories.** When servicing, use only identical replacement parts. Use of any other parts will void the warranty. Only use accessories intended for use with this tool. Approved accessories are available from Harbor Freight Tools.
12. **Do not operate tool if under the influence of alcohol or drugs.** Read warning labels if taking prescription medicine to determine if your judgment or reflexes are impaired while taking drugs. If there is any doubt, do not operate the tool.
13. **Maintenance.** For your safety, service and maintenance should be performed regularly by a qualified technician.

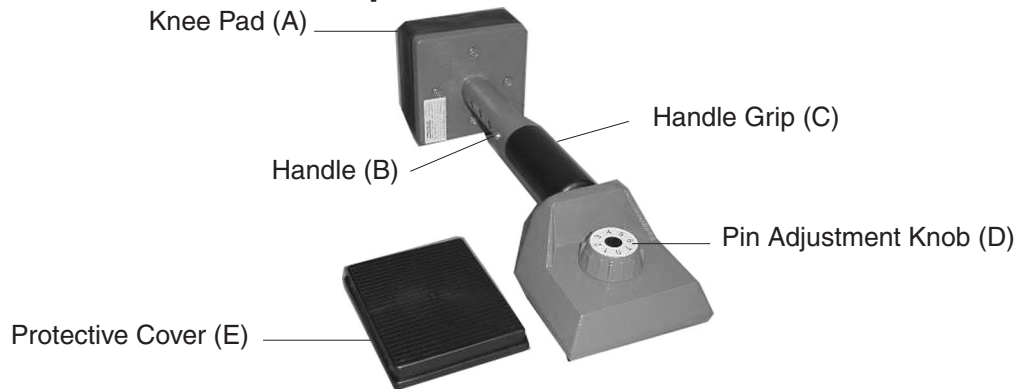
**Warning: The warnings, cautions, and instructions discussed in this instruction manual cannot cover all possible conditions and situations that may occur. It must be understood by the operator that common sense and caution are factors which cannot be built into this product, but must be supplied by the operator.**

## **Unpacking**

When unpacking, check to make sure the parts listed on page 5 are included. If any parts are missing or broken, please call Harbor Freight Tools at the number on the cover of this manual as soon as possible.

## Operation

**FIGURE 1**



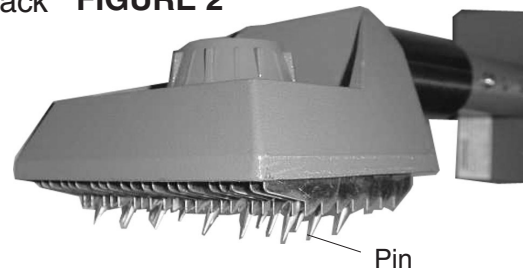
Refer to **FIGURE 1** and **FIGURE 2**.

1. Squeeze both of the adjustment buttons on the sides of the Handle (B), and adjust the Handle (B) to the proper length for your application. Release the adjustment buttons and lock the Handle (B) into place.
2. Snap off the Protective Cover (E).
3. Turn the Pin Adjustment Knob (D) to the proper length for the carpet you are working with. The Pin Adjustment Knob (D) has 8 settings. The lower numbers stand for shorter Pin lengths and the higher numbers stand for longer Pin lengths. Turn the Pin Adjustment Knob (D) clockwise to decrease Pin length and counterclockwise to increase Pin length.

**Note:** The Pin length must allow the Pins to pass through the top of the carpet (pile) and grip into the cloth-like backing. The Pins must not go through the backing into the pad or they will damage the pad. **This tool is not used for stretching carpet;** it is only used for catching the carpet on the tack strips located around the perimeter of the room.

**Note:** **FIGURE 2** shows the Pins fully extended at 3/8”.

4. Position the Carpet Installer next to the tack strips with the pins properly inserted through the carpet and into the backing. Push your Knee against the Knee Pad (A) to move the carpet forward onto the tack strips. Continue along the perimeter of the room.
5. When you are finished, use the Pin Adjustment Knob (D) to fully retract the Pins and snap on the Protective Cover (E). The Protective Cover (E) only fits on one way. Rotate it until it fits properly.

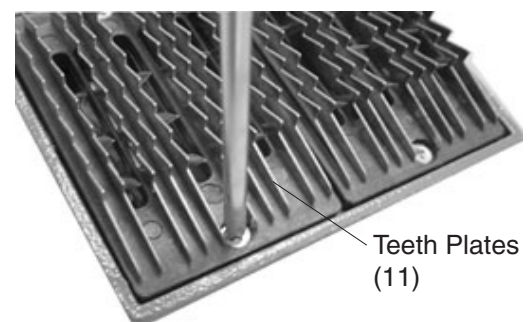


**FIGURE 3**

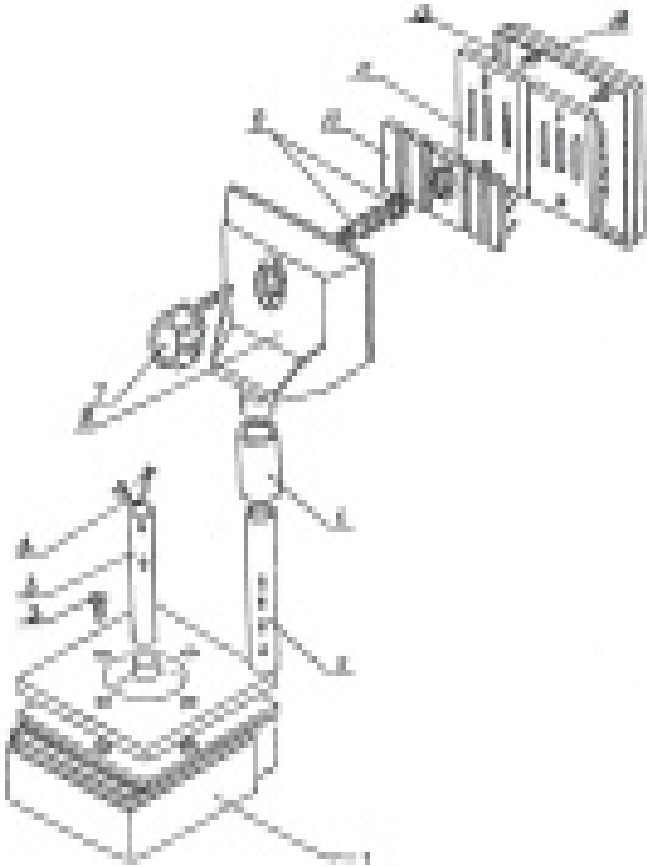
## Maintenance (see page 5 for parts list)

1. Keep the Carpet Installer clean. Remove any dirt or debris from the Pins and Teeth Plates.
2. When the Teeth Plates (11) need replacing, remove the two cross-head screws that hold the Teeth Plates (11) in place and install new Teeth Plates (11). Replace the Bolts (13). See **FIGURE 3**.

**Note:** Always verify that the Teeth Plates (11) are securely fastened before each use.



## Diagram



## Parts List

PART NO.	DESCRIPTION	QTY
1	Knee Pad	1
2	Bolts, M6x16	4
3	Internal Tube	1
4	Spring Set	1
5	Handle	1
6	Handle Grip	1
7	Pin Adjustment Knob	1
8	Upper Base	1
9	Screws	1
10	Teeth Base	1
11	Teeth Plate	1
12	Protective Cover	1
13	Bolts, M4x12	4

### PLEASE READ THE FOLLOWING CAREFULLY

THE MANUFACTURER AND/OR DISTRIBUTOR HAS PROVIDED THE PARTS DIAGRAM IN THIS MANUAL AS A REFERENCE TOOL ONLY. NEITHER THE MANUFACTURER NOR DISTRIBUTOR MAKES ANY REPRESENTATION OR WARRANTY OF ANY KIND TO THE BUYER THAT HE OR SHE IS QUALIFIED TO MAKE ANY REPAIRS TO THE PRODUCT OR THAT HE OR SHE IS QUALIFIED TO REPLACE ANY PARTS OF THE PRODUCT. IN FACT, THE MANUFACTURER AND/OR DISTRIBUTOR EXPRESSLY STATES THAT ALL REPAIRS AND PARTS REPLACEMENTS SHOULD BE UNDERTAKEN BY CERTIFIED AND LICENSED TECHNICIANS AND NOT BY THE BUYER. THE BUYER ASSUMES ALL RISK AND LIABILITY ARISING OUT OF HIS OR HER REPAIRS TO THE ORIGINAL PRODUCT OR REPLACEMENT PARTS THERETO, OR ARISING OUT OF HIS OR HER INSTALLATION OF REPLACEMENT PARTS THERETO.

**NOTE:** Some parts are listed and shown for illustration purposes only and are not available individually as replacement parts.