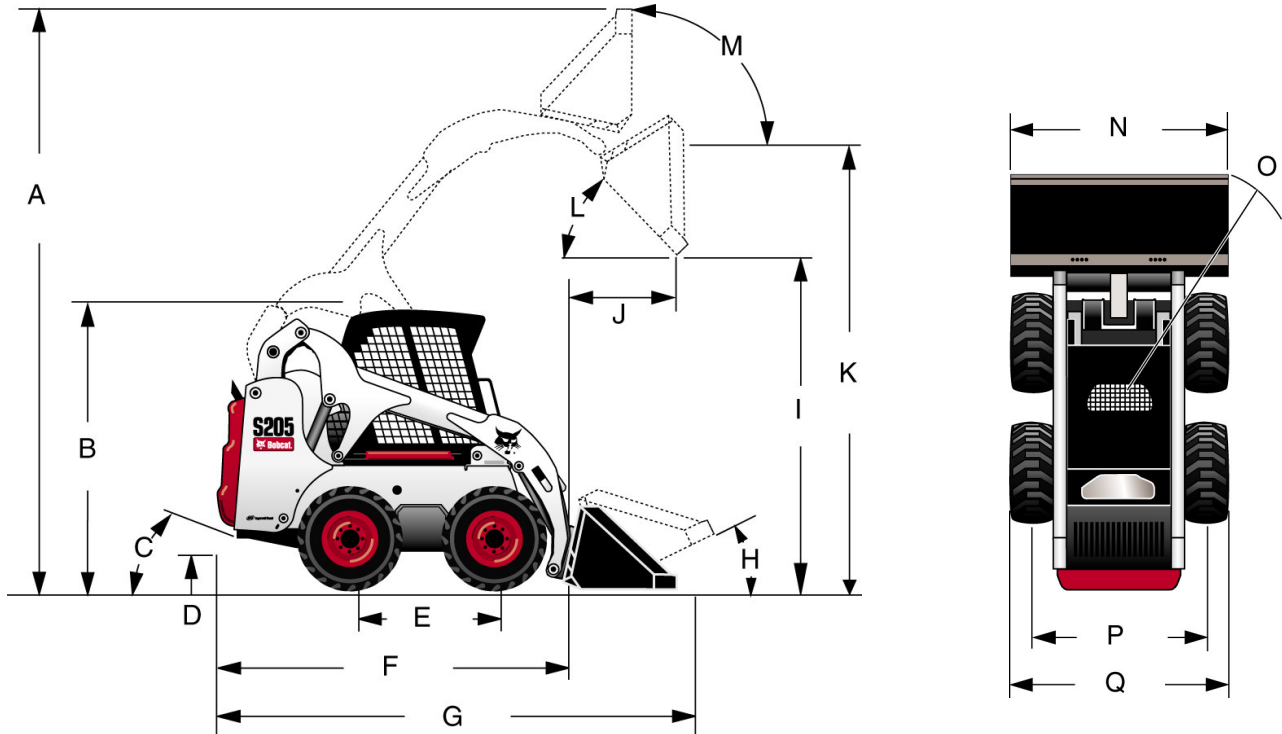


S205 SKID-STEER LOADER SPECIFICATIONS

DIMENSIONS



A) Operating Height	152.1" (3863 mm)	N) Width (over bucket)	
B) Height with Operator Cab	76.3" (1938 mm)	62" Bucket	62.0" (1575 mm)
C) Angle of Departure	23°	68" Bucket	68.0" (1727 mm)
D) Ground Clearance	7.5" (191 mm)	74" Bucket	74.0" (1880 mm)
E) Wheelbase	40.6" (1030 mm)	O) Turning Radius	
F) Length without Attachment	101.8" (2586 mm)	with Standard Bucket	78.8" (2001 mm)
G) Length with Standard Bucket	130.3" (3309 mm)	Rear Clearance of Machine	62.2" (1579 mm)
H) Rollback @ Carry Position	27°	P) Wheel Tread	
I) Dump Height with Standard Bucket ..	91.0" (2310 mm)	10-16.5	56.4" (1433 mm)
J) Dump Reach @ Maximum Height	29.6" (752 mm)	10-16.5 with offset rims	48.5" (1232 mm)
K) Height to Bucket Hinge Pin	118.2" (3002 mm)	31.5x13-16.5	58.4" (1483 mm)
L) Dump Angle @ Maximum Height	42°	Q) Width (over tires)	
M) Rollback Fully Raised		10-16.5	66.0" (1676 mm)
@ Maximum Height	95°	10-16.5 with offset rims	60.0" (1524 mm)
		31.5x13-16.5	71.6" (1818 mm)
Carry Position	9.0" (229 mm)		

PERFORMANCE

Rated Operating Capacity (SAE J732)	2050 lbs. (930 kg)
Rated Operating Capacity with Counterweight option	2150 lbs. (975 kg)
Tipping Load (SAE)	4451 lbs. (2019 kg)
Operating Weight (SAE)	6655 lbs. (3023 kg)
Travel Speed	7.3 mph (11,8 km/hr)
Lift Breakout Force (SAE)	3800 lbs. (1724 kg)
Tilt Breakout Force (SAE)	3825 lbs. (1735 kg)
Push Force	4600 lbs. (2087 kg)

ENGINE/ELECTRICAL

Make/Model	Kubota/V2607-DI-TE3B-BC-1
Fuel/Cooling	Diesel/Liquid
Horsepower (SAE Gross)	66 HP (49.2 kW)@ 2700 RPM
Horsepower (SAE Net)	61 HP (45,5 kW)@ 2700 RPM
Maximum Governed RPM	2700 RPM
Torque (SAE Gross)	161.0 ft–lbs. (218 Nm) @ 1425 RPM
Torque (SAE Net)	155.6 ft–lbs. (211 Nm) @ 1425 RPM
Number of Cylinders	4
Displacement	158.7 cu. in. (2,6 L)
Bore/Stroke	3.43/4.33 in. (87/110 mm)
Fuel Consumption	3.4 gph (12,9 L/h)
	Estimated fuel consumption is based on testing by Bobcat Company in high duty cycle digging applications.
Lubrication	Gear Pump Pressure
Crankcase Ventilation	Open, breathing
Air Cleaner	Dry replaceable paper cartridge with safety element
Ignition	Compression (Diesel)
Engine Coolant	Propylene glycol/water mix (53%-47%) with freeze protection to -34 °F (-37 °C)
Starting Aid	Glow plugs
Alternator	90 amps; ventilated with internal regulator
Battery	12 volt; 600 cold cranking amps @ 0 °F (-18 °C); 115 minute reserve capacity @ 25 amps
Starter	12 volt, gear reduction type; 3.62 HP (2,7 kW)

TWO- SPEED TRAVEL

- Optional Configuration
- Two-Speed Motors
- Low Range - 7.2 MPH
- High Range - 11.2 MPH
- Low Effort Pump
- Spring Applied/Pressure Release (SAPR) Brake
- Suspension Seat
- Three-Point Seat Belt

HYDRAULIC SYSTEM

Pump Type	Engine driven, gear type
Pump Capacity	
Standard	16.9 GPM (64 L/min)
High Flow	26.4 GPM (99,9 L/min)
System Relief @ Quick Couplers ...	3350 PSI (23,1 MPa)
Hydraulic Filter	Full flow replaceable, 3 micron synthetic media element
Hydraulic Cylinders	Double-acting; Tilt cylinders have cushioning feature on dump
Control Valve	3-Spool, open center type with spring detent on lift. Electric solenoid valves for auxiliary
Fluid Type	Bobcat Hydraulic/Hydrostatic Fluid (P/N 6563328) Motor oil is not an acceptable alternative fluid

Bore Diameter

Lift Cylinder (2)	2.50 in. (63,5 mm)
Tilt Cylinder (2)	2.75 in. (69,8 mm)

Rod Diameter

Lift Cylinder (2)	1.50 in. (38,1 mm)
Tilt Cylinder (2)	1.375 in. (34,9 mm)

Stroke

Lift Cylinder (2)	23.67 in. (601 mm)
Tilt Cylinder (2)	13.19 in. (335,0 mm)

Hydraulic Function Times

Raise Lift Arms	3.5 Seconds	Bucket Dump	2.5 Seconds
Lower Lift Arms	2.3 Seconds	Bucket Rollback	1.9 Seconds

DRIVE SYSTEM

Main Drive	Fully hydrostatic, 4-wheel drive
Transmission	Infinitely variable tandem hydrostatic piston pumps, driving two fully reversing hydrostatic motors
Final Drive Chains	Pre-stressed #80 HSOC endless roller chain (no master link) and sprockets in sealed chaincase with oil lubrication (Chains do not require periodic adjustments) Two chains per side with no idler sprocket
Axle Size	2.00 in. (50,8 mm), heat treated
Wheel Bolts	(8) 9/16 in. wheel bolts fixed to axle hubs

CAPACITIES

Fuel Tank	24 gals. (90,8 L)
Cooling System without heater	11 qts. (10,4 L)
Engine Oil with Filter	9.5 qts. (9,0 L)
Hydraulic/Hydrostatic Reservoir	4.8 gals. (18,2 L)
Hydraulic/Hydrostatic System	8.5 gals. (32,2 L)
Transmission (Final Drive)	9 gals. (34,1 L)

CONTROLS

Vehicle Steering	Direction and speed controlled by two hand levers
Loader Hydraulics	
Lift & Tilt	Controlled by separate foot pedals or optional Advanced Control System (ACS) or optional Selectable Joystick Controls (SJC)
Front Auxiliary (Std.)	Controlled by electrical switch on Right Hand steering lever
Rear Auxiliary (Opt.)	Controlled by electrical switch on Left Hand steering lever
Auxiliary Pressure Release	Pressure is relieved through the coupler block, push in and hold for five seconds
Engine	Hand lever throttle; key-type starter switch and shutdown
Starting Aid	Glow Plugs – automatically activated by Standard or Deluxe Instrument Panel
Service Brake	Two independent hydrostatic systems controlled by two hand operated steering levers
Secondary Brake	One of the hydrostatic transmissions
Parking Brake	Mechanical disc, hand operated rocker switch on dash panel
Parking Brake (Two-speed Option)	Spring applied pressure release multi disk brake activated by rocker switch

SERVICEABILITY

Access is available to the following through the rear door/tailgate and rear screen:

- Air cleaner
- Alternator
- Battery
- Cooling system (radiator and hydraulic oil cooler) for cleaning
- Engine oil and fuel filters
- Engine oil drain and dipstick
- Fuel fill
- Hydraulic oil fill
- Starter

- Axle hubs provide protection for the axle seals
 - Bobtach pivots have replaceable wear bushings
 - Easy access to all lift arm grease points
 - Rod end of the tilt cylinder has a replaceable bushing
 - Tailgate has an optional lock for vandal proofing
 - Tailgate is equipped with door stop to hold door open while servicing
 - Tip-up operator cab gives access to certain hydraulic system components
-

INSTRUMENTATION

The following loader functions are monitored by a combination of gauges and warning lights in the operator's line of sight. The system alerts the operator of monitored loader malfunctions by way of an audible alarm and visual warning lights.

Standard Instrument Panel

Gauges

- Engine Coolant Temperature
- Fuel
- Hourmeter

Indicators

- Attachment Control Device
- BICS Functions
- Glow Plugs

Warning Lights

- Advanced Control System (ACS)
- Engine Air Filter
- Engine Coolant Temperature
- Engine Oil Pressure
- Fuel Level
- General Warning
- Hydraulic Filter
- Hydraulic Oil Temperature
- Hydrostatic Charge Pressure
- Seat Belt
- System Voltage

Deluxe Instrument Panel (Option)

Same gauges, warning lights and other features as Standard Instrument Panel plus:

- Bar-type gauges: Engine Oil Pressure, System Voltage, Hydrostatic Charge Pressure and Hydraulic Oil Temperature
- Additional features: Keyless Start with password capability, Digital Clock, Job Clock, Attachments Information, Digital Tachometer, High Flow Lockouts, Multi-Language Display, Help Screens, Diagnostic Capability and Engine/Hydraulic Systems Shutdown Function

ATTACHMENTS

- | | | | |
|------------------------|-------------------------|------------------------|------------------|
| Angle Broom* | Dozer Blade | Scarifier | Tilt-Tatch |
| Auger | Dumping Hopper | Scraper | Tracks, Steel |
| Backhoe | Grader* | Seeder | Tree Spade |
| Bale Forks | Grapple, Farm/Utility | Snow Blade | Trench Compactor |
| Box Blade | Grapple, Industrial | Snow V-Blade* | Trencher |
| Brush Saw | Hydraulic Breaker | Snowblower* | Utility Forks |
| Brushcat Rotary Cutter | Landplane | Sod Layer | Utility Frame |
| Buckets | Landscape Rake | Soil Conditioner* | Vibratory Roller |
| Bucket Adapter | Mower | Spreader | Water Kit |
| Chipper* | Packer Wheel | Stabilizer, Quick Tach | Whisker Broom |
| Combination Bucket | Pallet Fork - Hydraulic | Sweeper | |
| Concrete Mixer* | Pallet Fork - Standard | Three-Point Hitch | |
| Digger | Planer | Tiller | |

See Bobcat Product Price List for specific attachment model availability. *Requires Attachment Control Kit

FACTORY OPTIONS

Advanced Control System (ACS)
Selectable Joystick Control (SJC)
Back-up Alarm and Horn

Engine Block Heater
High Flow Auxiliary Hydraulics
Hydraulic Bucket Positioning

DEALER ACCESSORIES

Attachment Control Kit
Back-up Alarm
Cab Accessory Harness
Cab Enclosure
Catalytic Exhaust Purifier
Fire Extinguisher Kit
FOPS Kit - Level II**

Four-point Lift Kit
Four-Way Flasher Light Kit
Horn
Hydraulic Bucket Positioning
Locking Fuel Cap
Power Bob-Tach
Radio

Rear Auxiliary Hydraulics
Ride Control
Rotating Beacon Light
Side Windows Kit
Single-point Lift Kit
Special Applications Kit
Strobe Light Kit
Tailgate Lock Kit

AC/HEATED CAB PACKAGES**A91 Option Package**

Cab Enclosure with
Heat/Air Conditioning
Two Speed
High Flow Hydraulics
Power Bobtach
Sound Reduction
Suspension Seat
Deluxe Instrumentation Panel
Hydraulic Bucket Positioning
Cab Accessory Harness
Horn
Backup Alarm
Attachment Control Device
Engine Block Heater

A71 Option Package

Cab Enclosure with
Heat/Air Conditioning
Power Bobtach
Sound Reduction
Suspension Seat
Deluxe Instrumentation Panel
Cab Accessory Harness
Attachment Control Kit

A51 Option Package

Cab Enclosure with
Heat/Air Conditioning
Power Bobtach
Suspension Seat
Cab Accessory Harness

A31 Option Package

Cab Enclosure with
Heat/Air Conditioning
Suspension Seat
Cab Accessory Harness

HEATED CAB PACKAGES**H71 Option Package**

Cab Enclosure with Heat
Power Bobtach
Sound Reduction
Suspension Seat
Deluxe Instrumentation Panel
Cab Accessory Harness
Attachment Control Kit

H51 Option Package

Cab Enclosure with Heat
Power Bobtach
Suspension Seat
Cab Accessory Harness

H31 Option Package

Cab Enclosure with Heat
Suspension Seat
Cab Accessory Harness

OPEN CAB PACKAGES**O71 Option Package**

Power Bobtach
Suspension Seat
Deluxe Instrumentation Panel
Cab Accessory Harness
Attachment Control Kit

O51 Option Package

Suspension Seat
Cab Accessory Harness
Deluxe Instrumentation Panel

O31 Option Package

Suspension Seat
Cab Accessory Harness

SAFETY

Bobcat Interlock Control System (BICS) (Std.)	Requires the operator to be seated in the loader with the seatbar in place and the engine running. After the operator presses the "Press to Operate Loader" button, the loader's hydraulic lift and tilt functions and traction drive system can be operated.
Lift Arm Bypass Control (Std.)	Used to lower the lift arms in the event that the lift arms cannot be lowered during normal operating conditions
Seat Belt (Std.)	Should always be worn when operating the loader
Seat Bar (Std.)	Secondary operator restraint, also serves as an arm rest
Operator Cab (Std.)	An enclosable operator cab with side screens with a minimal inside cab width of 33" (838 mm) as standard equipment. Meets SAE J1040 and ISO 3471 for Roll Over protective Structure (ROPS) and SAE J1043 and ISO 3449 Level I for Falling Objects Protective Structure (FOPS). Level II option is available.

Level I – Acceptance is intended for protection from falling bricks, small concrete blocks and hand tools encountered in operations such as highway maintenance, landscaping and other construction site services.

Level II – Acceptance is intended for protection from falling trees or rocks for machines involved in site clearing, overhead demolition or forestry.

Lift Arm Support (Std.)	Use for servicing when lift arms are raised
Parking Brake (Std.)	Always set brake when leaving loader
Grab Handles (Std.)	Should always be used when entering/exiting loader
Safety Tread (Std.)	Slip resistant tread on lift arms and main frame to be used when entering/exiting loader
Attachment Steps (Std.)	Should always be used when entering/exiting loader
Rear Window (Std.)	For emergency exit
Front & Rear Working Lights (Std.)	Use for indoor and low light operation
Backup Alarm (Opt.)	For use in jobs with low visibility
Lift Kits (Opt.)	Lift kits are available so loader may be lifted into remote areas
Special Applications Kit (Opt.)	Restricts objects and material from entering cab openings
Operator's Handbook (Std.)	Weather resistant operator handbook written in English will be attached to inside of cab, providing operational instructions and warnings by decals with pictorials and international symbols plus some messages in four basic languages: English, French, German and Spanish.

TRAINING RESOURCES

These optional videotapes and training courses are available through Bobcat Parts

Bobcat Skid-Steer Loader Operator Training Course

4-hour course provides video, classroom and hands-on training (also available in Spanish)

Bobcat Skid-Steer Loader Service Safety Training Course

2-hour course provides video, classroom and hands-on training

Bobcat Skid-Steer Loader Safety Video

Short and to-the-point video provides basic safety instructions for the Skid-Steer Loader
